

## Special jigs and tools for aircraft manufacturing



BUTTON GAUGE

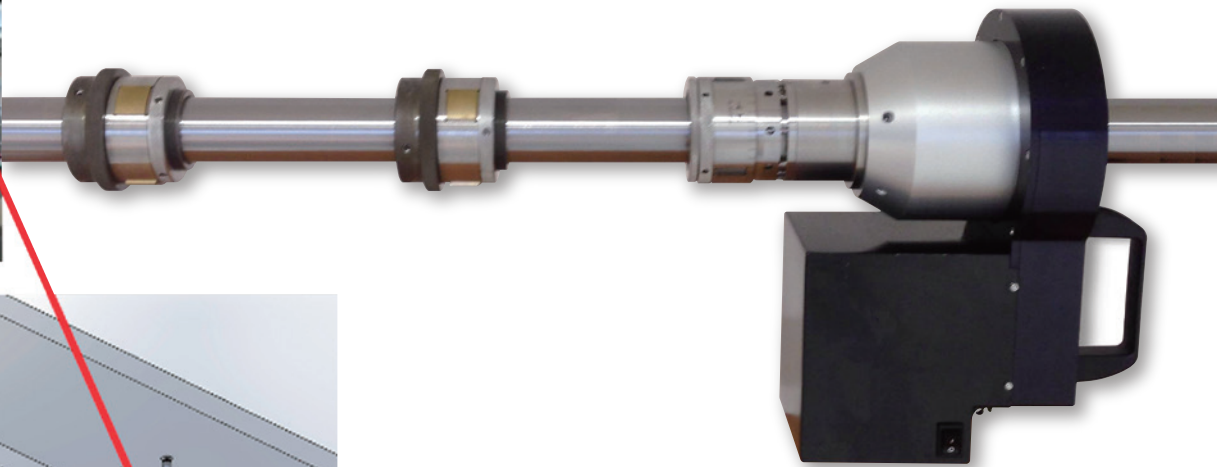
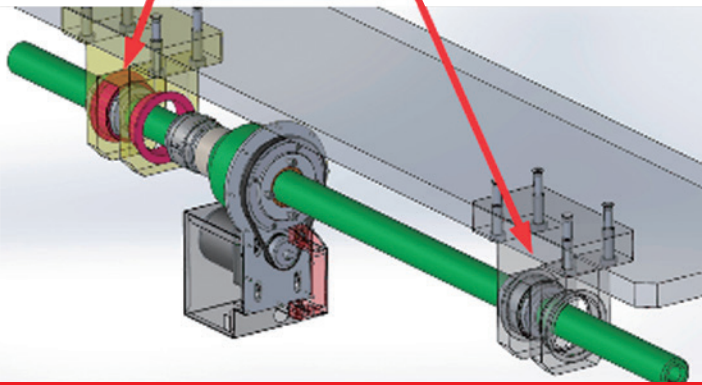
Special gauge to inspect crashed diameter and height of fastener (rivet) at civil aircraft manufacturing lines



PLATE NUT GAUGE

Drill guide jig and tool used for hole drilling fastener (rivet) at civil aircraft manufacturing lines

## Honing equipment for engine nacelle inner diameter



Special jig and tool honing engine nacelle inner diameter for civil aircraft